

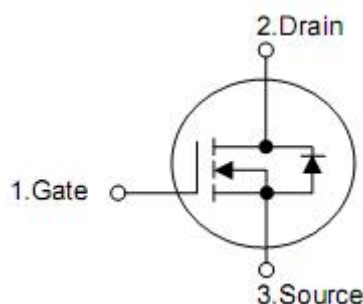
## 1. Description

These N-Channel enhancement mode power field effect transistors are produced using Fairchild's proprietary, planar stripe, DMOS technology. This advanced technology has been especially tailored to minimize on-state resistance, provide superior switching performance, and withstand high energy pulse in the avalanche and commutation mode. These devices are well suited for high efficient switched mode power supplies, active power factor correction, electronic lamp ballast based on half bridge to pology.

## 2. Features

- n 9A, 900V,  $R_{DS(on)}=1.12\Omega$  @  $V_{GS}=10$  V
- n Low gate charge ( typical 70 nC)
- n Low  $C_{rss}$  ( typical 14pF)
- n Fast switching
- n 100% avalanche tested
- n Improved dv/dt capability
- n RoHS compliant

## 3. Pin configuration



Pin	Function
1	Gate
2	Drain
3	Source

## 4. Absolute maximum ratings

(T<sub>C</sub> = 25 °C , unless otherwise specified)

Parameter	Symbol	Ratings	Units
Drain-source voltage	V <sub>DSS</sub>	900	V
Drain current	I <sub>D</sub>	T <sub>C</sub> =25°C	9.0
		T <sub>C</sub> =100°C	5.7
Drain current (note1)	I <sub>DM</sub>	36	A
Gate-source Voltage	V <sub>GSS</sub>	± 30	V
Single pulsed avalanche energy (note2)	E <sub>AS</sub>	900	mJ
Avalanche current (note1)	I <sub>AR</sub>	9.0	A
Repetitive avalanche energy (note1)	E <sub>AR</sub>	28	mJ
Peak diode recovery dv/dt (note 3)	dv/dt	4.0	V/ns
Power dissipation	P <sub>D</sub>	T <sub>C</sub> =25°C	280
		Derate above 25°C	2.22
Operating and storage temperature range	T <sub>J</sub> , T <sub>STG</sub>	-55 to +150	°C
Maximum lead temperature for soldering purposes, 1/8" from case for 5 seconds	T <sub>L</sub>	300	°C

## 5. Thermal characteristics

Parameter	Symbol	Typ	Max	Units
Thermal resistance, junction-to-case	R <sub>θJC</sub>	-	0.45	°C/W
Thermal resistance, case-to-sink	R <sub>θCS</sub>	0.24	-	°C/W
Thermal resistance, junction-to-ambient	R <sub>θJA</sub>	-	40	°C/W

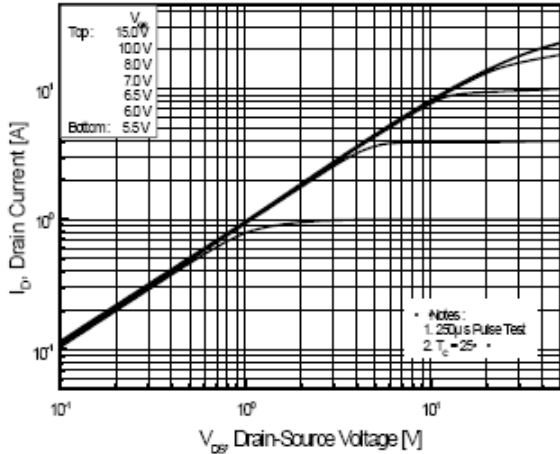
## 6. Electrical characteristics

(T<sub>C</sub>=25°C, unless otherwise notes)

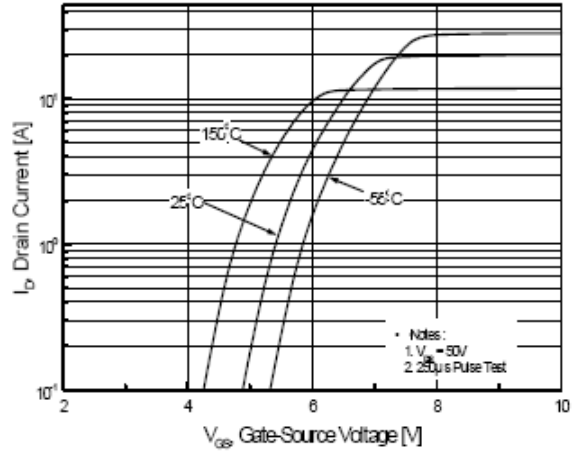
Parameter	Symbol	Test Conditions	Min	Typ	Max	Units
<b>Off characteristics</b>						
Drain-source breakdown voltage	BV <sub>DSS</sub>	V <sub>GS</sub> =0V, I <sub>D</sub> =250μA	900	-	-	V
Zero gate voltage drain current	I <sub>DSS</sub>	V <sub>DS</sub> =900V, V <sub>GS</sub> =0V	-	-	10	μA
		V <sub>DS</sub> =720V, T <sub>C</sub> =125°C	-	-	100	μA
Gate-body leakage current	Forward	I <sub>GSS</sub>	-	-	100	nA
	Reverse					
Breakdown voltage temperature coefficient	ΔBV <sub>DSS</sub> /ΔT <sub>J</sub>	I <sub>D</sub> =250μA Referenced to 25°C	-	0.9	-	V/°C
<b>On characteristics</b>						
Gate threshold voltage	V <sub>GS(th)</sub>	V <sub>DS</sub> =V <sub>GS</sub> , I <sub>D</sub> =250μA	3.0	-	5.0	V
Static drain-source on-resistance	R <sub>DS(on)</sub>	V <sub>GS</sub> =10V, I <sub>D</sub> =4.5A	-	1.12	1.4	Ω
Forward transconductance	g <sub>FS</sub>	V <sub>DS</sub> =40V, I <sub>D</sub> =4.5A (note4)	-	9.0	-	S
<b>Dynamic characteristics</b>						
Input capacitance	C <sub>ISS</sub>	V <sub>DS</sub> =25V, V <sub>GS</sub> =0V, f=1MHz	-	2780		pF
Output capacitance	C <sub>OSS</sub>		-	228		pF
Reverse transfer capacitance	C <sub>RSS</sub>		-	28		pF
<b>Switching characteristics</b>						
Turn-on delay time	t <sub>D(ON)</sub>	V <sub>DD</sub> =450V, I <sub>D</sub> =9.0A, R <sub>G</sub> =25Ω (note4, 5)	-	55		ns
Rise time	t <sub>R</sub>		-	130		ns
Turn-off delay time	t <sub>D(OFF)</sub>		-	110		ns
Fall time	t <sub>F</sub>		-	80		ns
Total gate charge	Q <sub>G</sub>	V <sub>DS</sub> =720V, I <sub>D</sub> =9.0A, V <sub>GS</sub> =10V (note4, 5)	-	70		nC
Gate-source charge	Q <sub>GS</sub>		-	13.5	-	nC
Gate-drain charge	Q <sub>GD</sub>		-	27	-	nC
<b>Drain-source diode characteristics and maximum ratings</b>						
Maximum continuous drain-source diode forward current	I <sub>S</sub>		-	-	9.0	A
Maximum pulsed drain-source diode forward current	I <sub>SM</sub>		-	-	36.0	A
Drain-source diode forward voltage	V <sub>SD</sub>	V <sub>GS</sub> =0V, I <sub>S</sub> =9.0A	-	-	1.4	V
Reverse recovery time	t <sub>RR</sub>	V <sub>GS</sub> =0V, I <sub>S</sub> =9.0A, di <sub>F</sub> /dt=100A/μs (note 4)	-	850	-	ns
Reverse recovery charge	Q <sub>RR</sub>		-	10	-	μC

- Note: 1. Repetitive rating : pulse width limited by maximum junction temperature  
2. L=21mH, I<sub>AS</sub>= 9.0A, V<sub>DD</sub>=50V, R<sub>G</sub>=25Ω, starting T<sub>J</sub>=25°C  
3. I<sub>SD</sub>≤9.0A, di/dt≤200A/μs, V<sub>DD</sub>≤BV<sub>DSS</sub>, Starting T<sub>J</sub>=25°C  
4. Pulse test : pulse width≤300μs, duty cycle≤2%  
5. Essentially independent of operating temperature

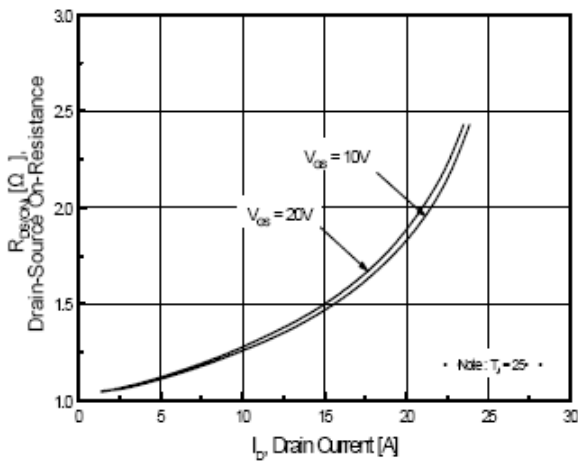
**7. Test circuits and waveforms**



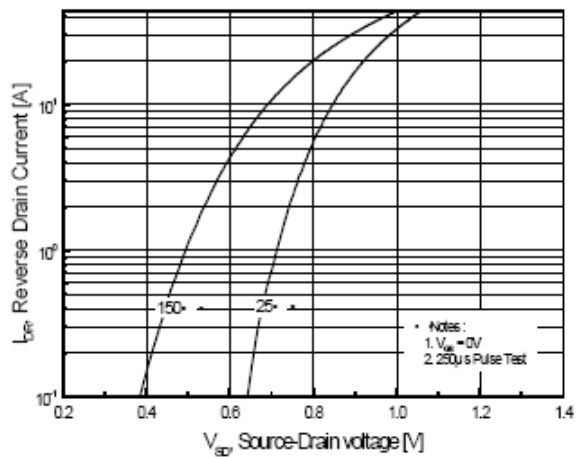
**Figure 1. On-Region Characteristics**



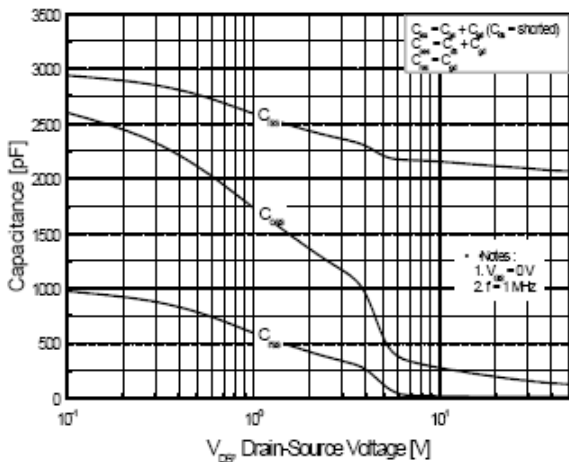
**Figure 2. Transfer Characteristics**



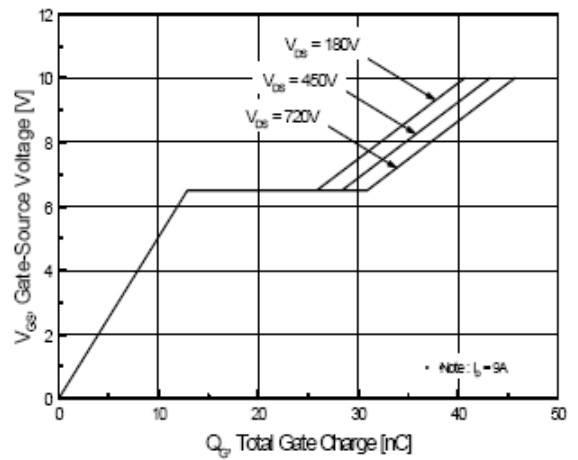
**Figure 3. On-Resistance Variation vs. Drain Current and Gate Voltage**



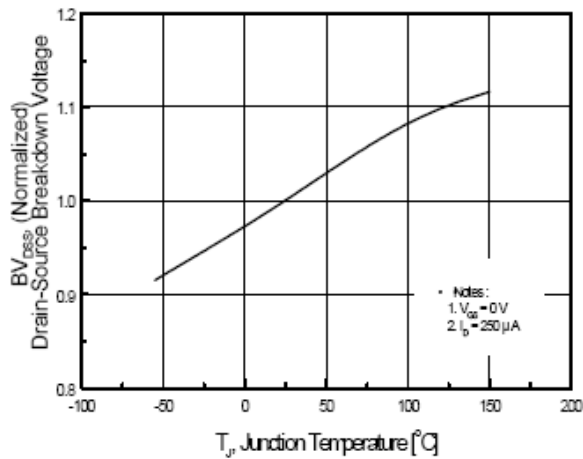
**Figure 4. Body Diode Forward Voltage Variation vs. Source Current and Temperature**



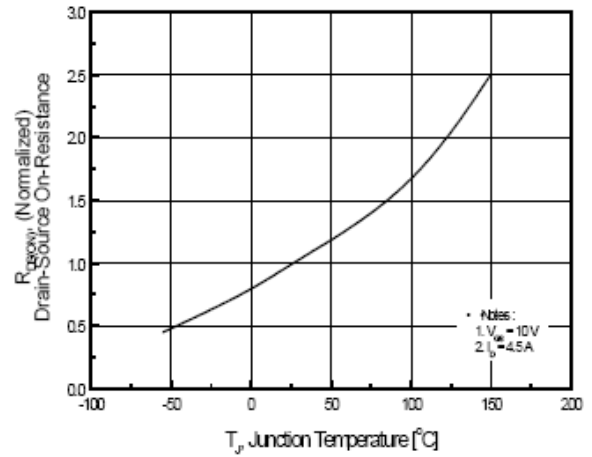
**Figure 5. Capacitance Characteristics**



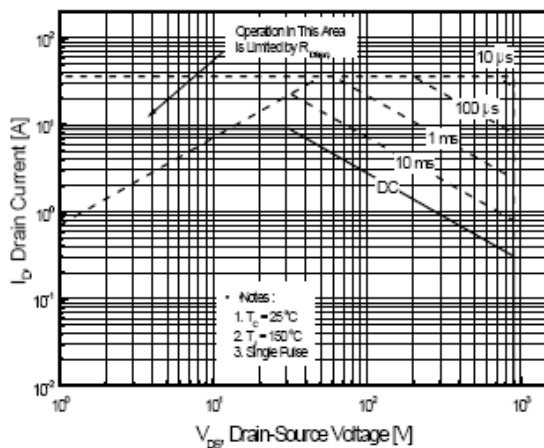
**Figure 6. Gate Charge Characteristics**



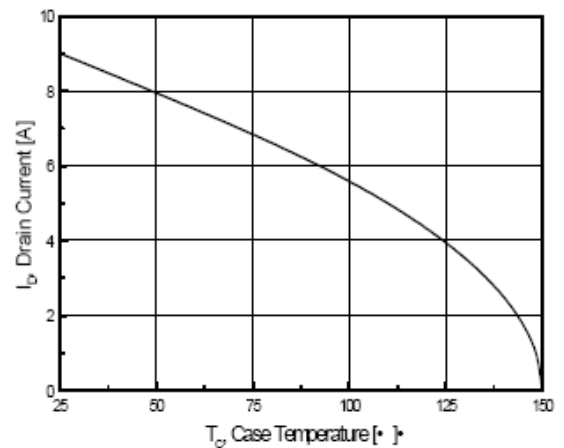
**Figure 7. Breakdown Voltage Variation vs. Temperature**



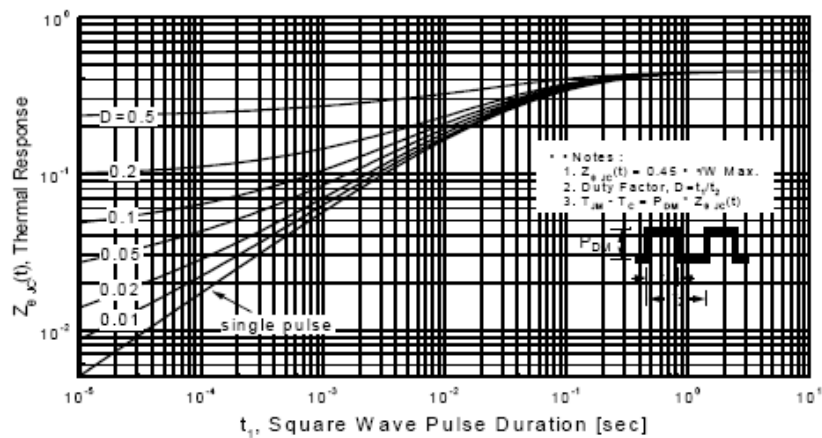
**Figure 8. On-Resistance Variation vs. Temperature**



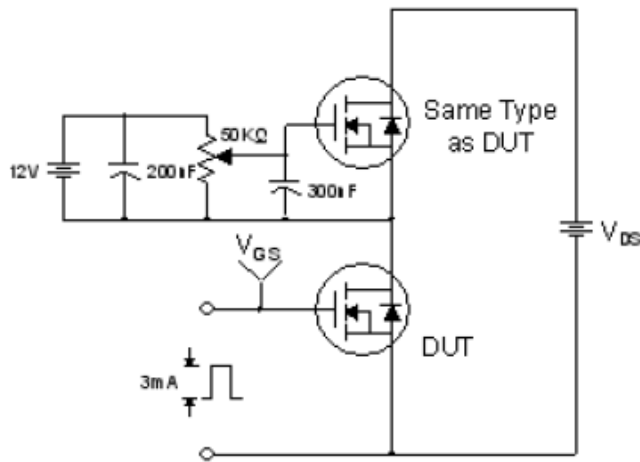
**Figure 9. Maximum Safe Operating Area**



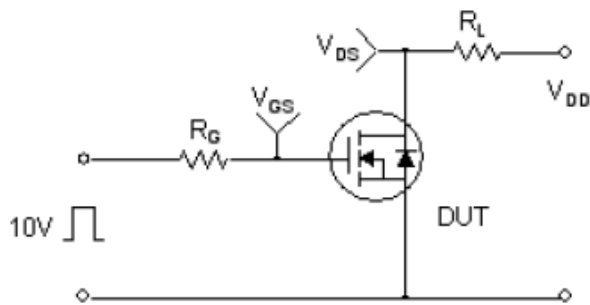
**Figure 10. Maximum Drain Current vs. Case Temperature**



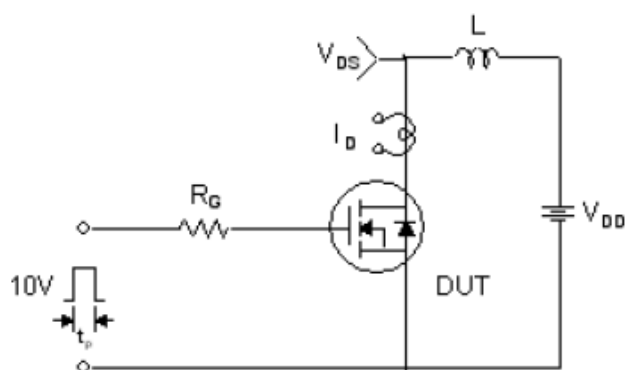
**Figure 11. Transient Thermal Response Curve**



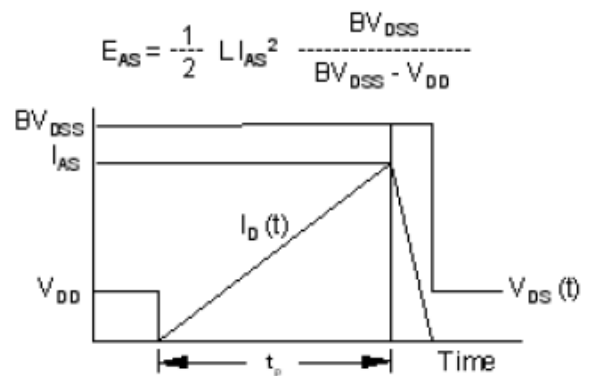
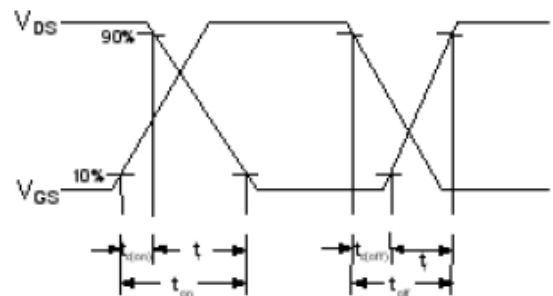
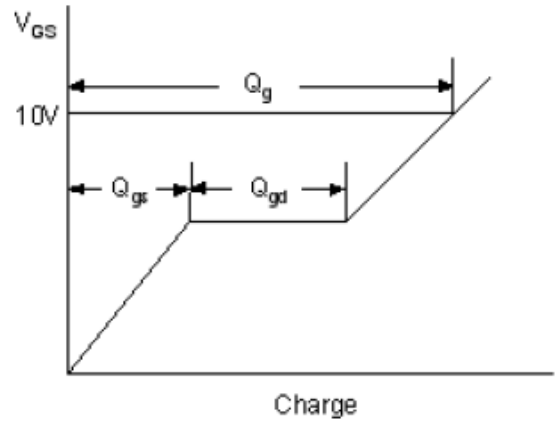
**Gate Charge Test Circuit & Waveform**

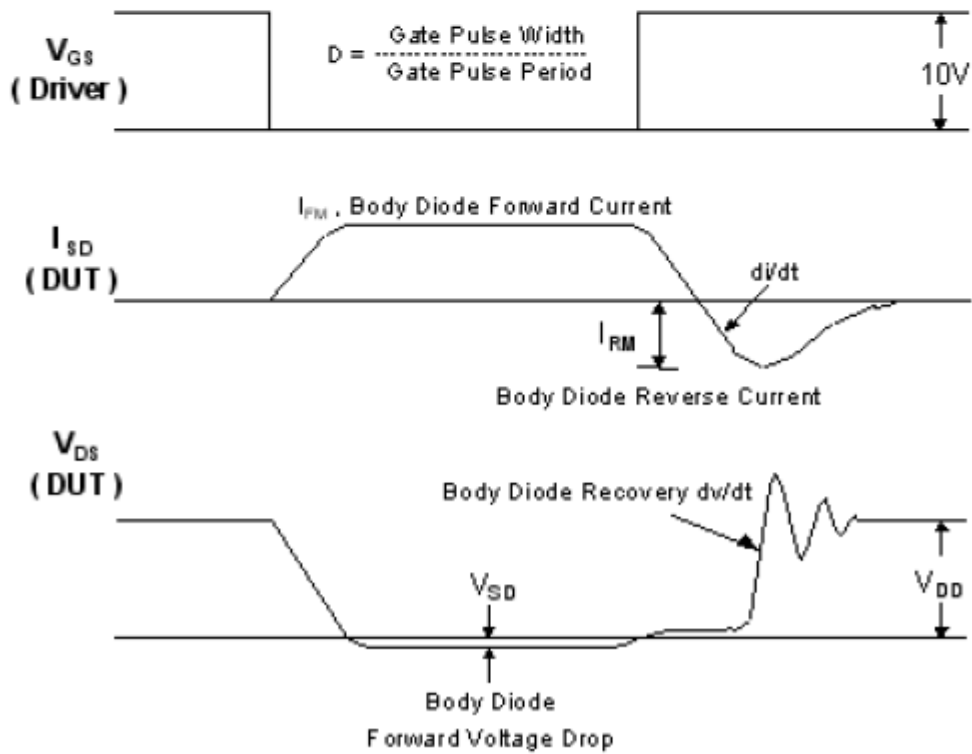
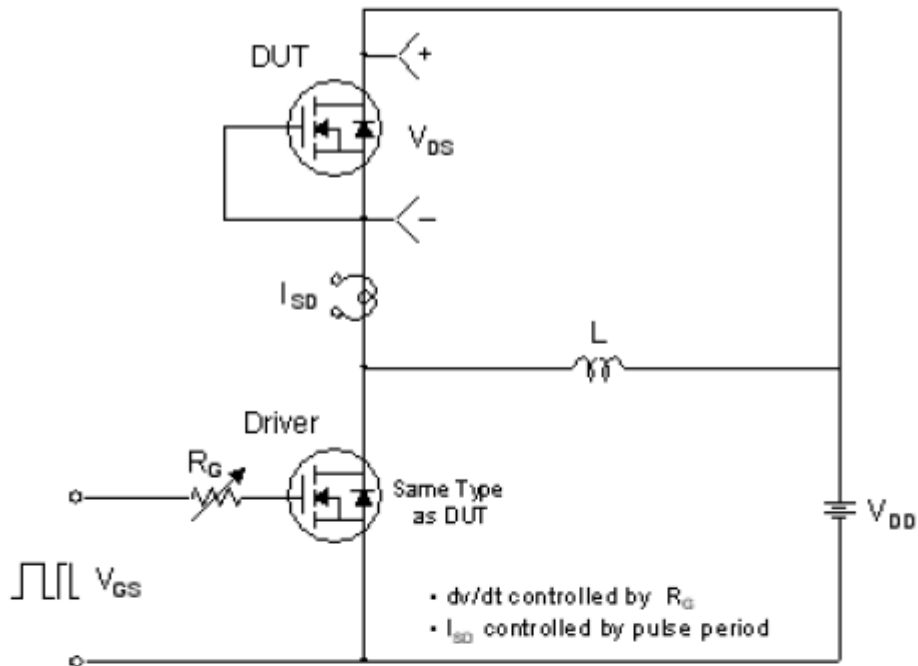


**Resistive Switching Test Circuit & Waveforms**



**Unclamped Inductive Switching Test Circuit & Waveforms**





Peak Diode Recovery  $dv/dt$  Test Circuit & Waveforms